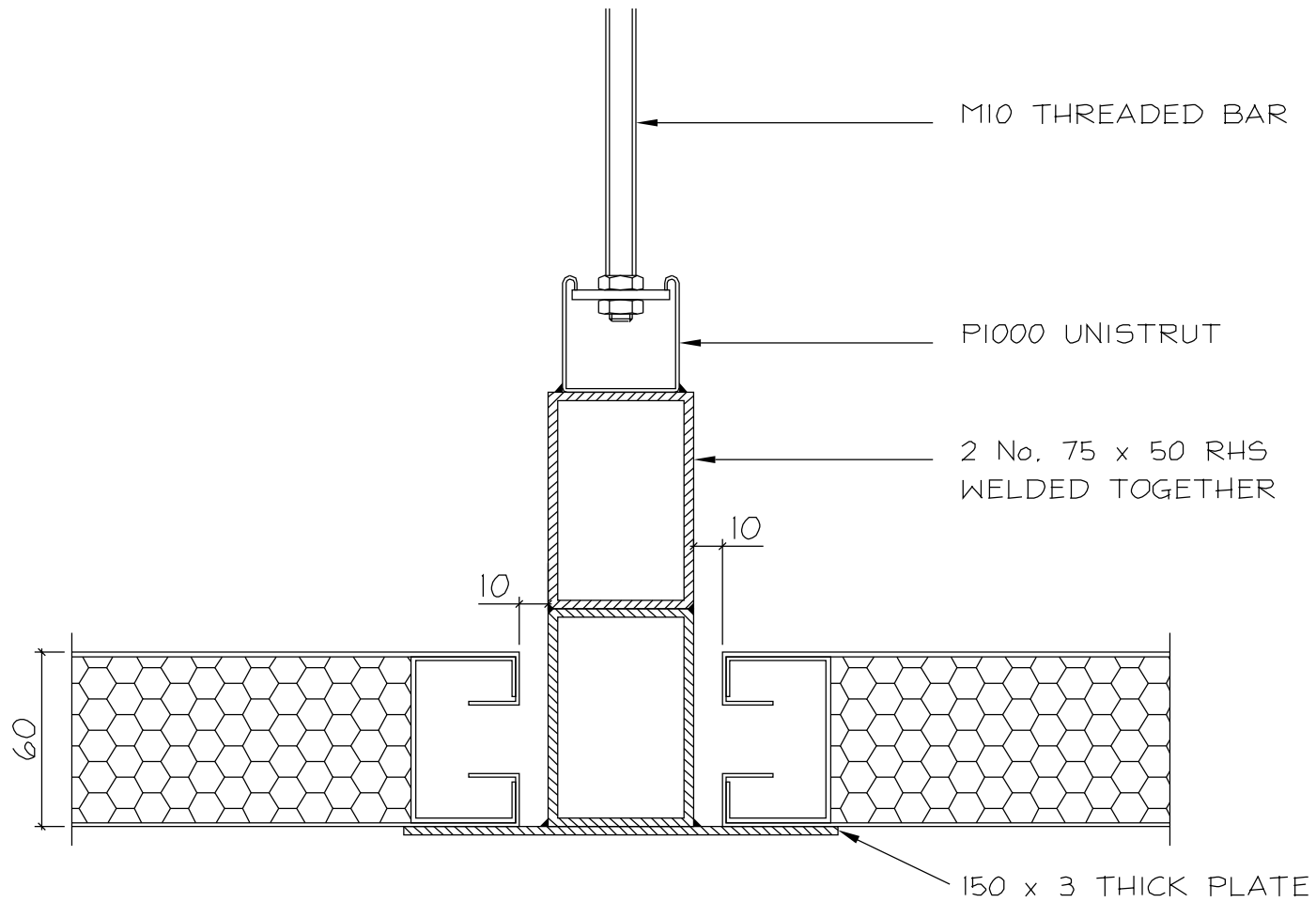


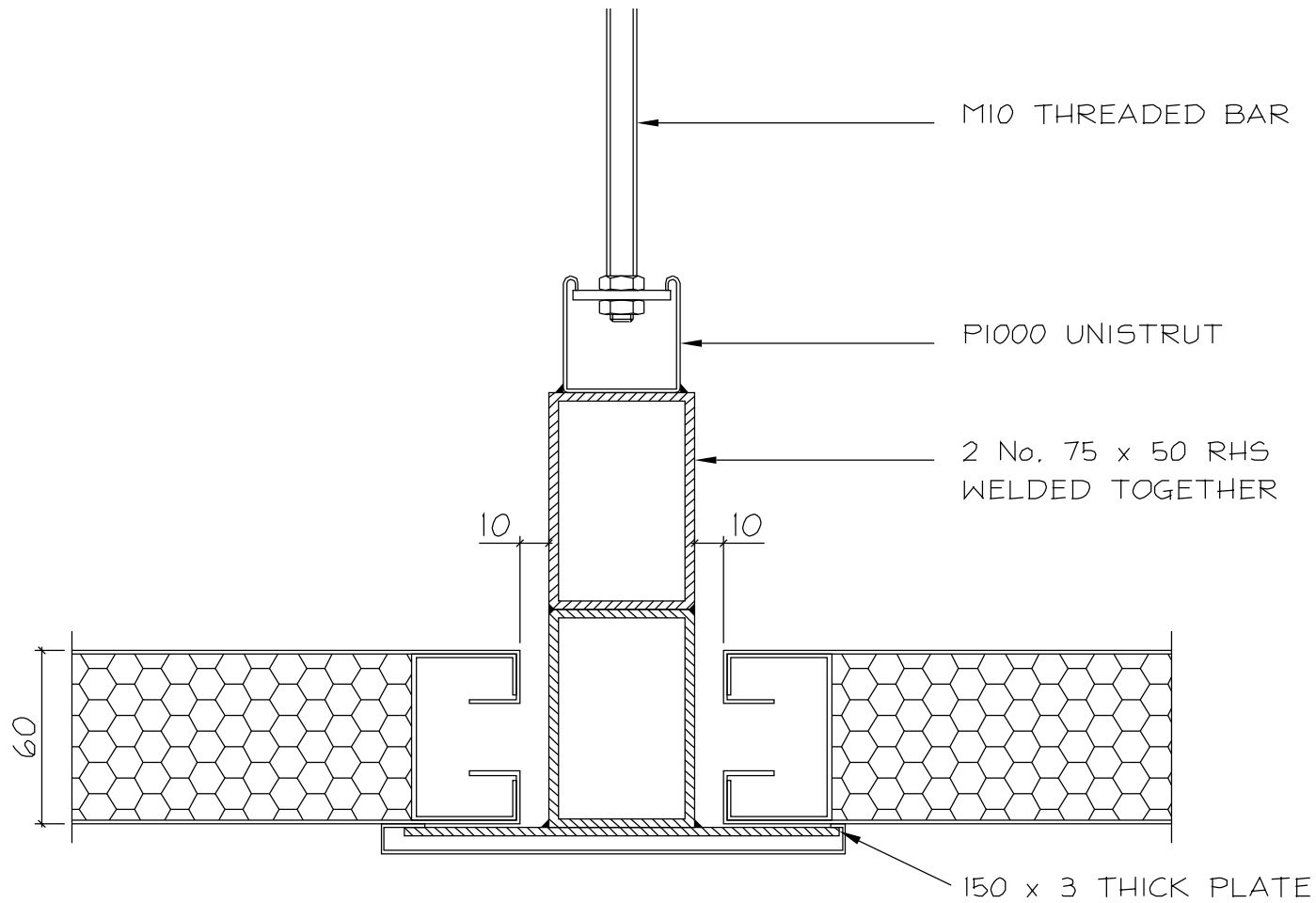
DETAILS ARE SUBJECT TO CHANGE WITHOUT NOTICE AS PART OF OUR CONTINUING PRODUCT DEVELOPMENT PROGRAMME AND DO NOT FORM ANY PART OF A BINDING CONTRACT.

|      |      |             |       |      |  |  |                                 |                           |                                       |
|------|------|-------------|-------|------|--|--|---------------------------------|---------------------------|---------------------------------------|
|      |      |             |       |      | <p style="text-align: center;">THRISLINGTON PRODUCTS LIMITED</p> <p style="text-align: center;">Durham Way South Aycliffe Industrial Est.<br/>Newton Aycliffe Co. Durham DL5 6SW<br/>Telephone 01325 320711 Telex 58100<br/>Fax 01325 311849</p> | <p>Title <b>Standard 60mm Roof Details</b><br/><b>150mm Deep Hung Beam</b></p> |                                 |                           |                                       |
|      |      |             |       |      |  | <p>Drawn<br/>Dave Heighington</p>  | <p>Date<br/>14 Apr 03</p>       | <p>Scale<br/>1:5</p>      | <p>Drawing No.<br/><b>SRD6001</b></p> |
| Rev. | Date | Description | Drawn | Chkd |  |  | <p>Checked<br/>D.W.Bamforth</p> | <p>Date<br/>14 Apr 03</p> | <p>Job Ref.</p>                       |



DETAILS ARE SUBJECT TO CHANGE WITHOUT NOTICE AS PART OF OUR CONTINUING PRODUCT DEVELOPMENT PROGRAMME AND DO NOT FORM ANY PART OF A BINDING CONTRACT.

|      |      |             |       |      |   |  |                   |                |                               |
|------|------|-------------|-------|------|---|--|-------------------|----------------|-------------------------------|
|      |      |             |       |      | <p style="text-align: center;">THRISLINGTON PRODUCTS LIMITED</p> <p style="text-align: center;">Durham Way South Aycliffe Industrial Est.<br/>         Newton Aycliffe Co. Durham DL5 6SW<br/>         Telephone 01325 320711 Telex 58100<br/>         Fax 01325 311849</p> | <b>Title</b><br><b>Standard 60mm Roof Details</b><br><b>150mm Deep Hung Beam With Roof</b> |                   |                |                               |
|      |      |             |       |      |   | Drawn<br>Dave Heighington  | Date<br>14 Apr 03 | Scale<br>1:2.5 | Drawing No.<br><b>SRD6002</b> |
| Rev. | Date | Description | Drawn | Chkd |   | Checked<br>D.W.Bamforth  | Date<br>14 Apr 03 | Job Ref.       |                               |

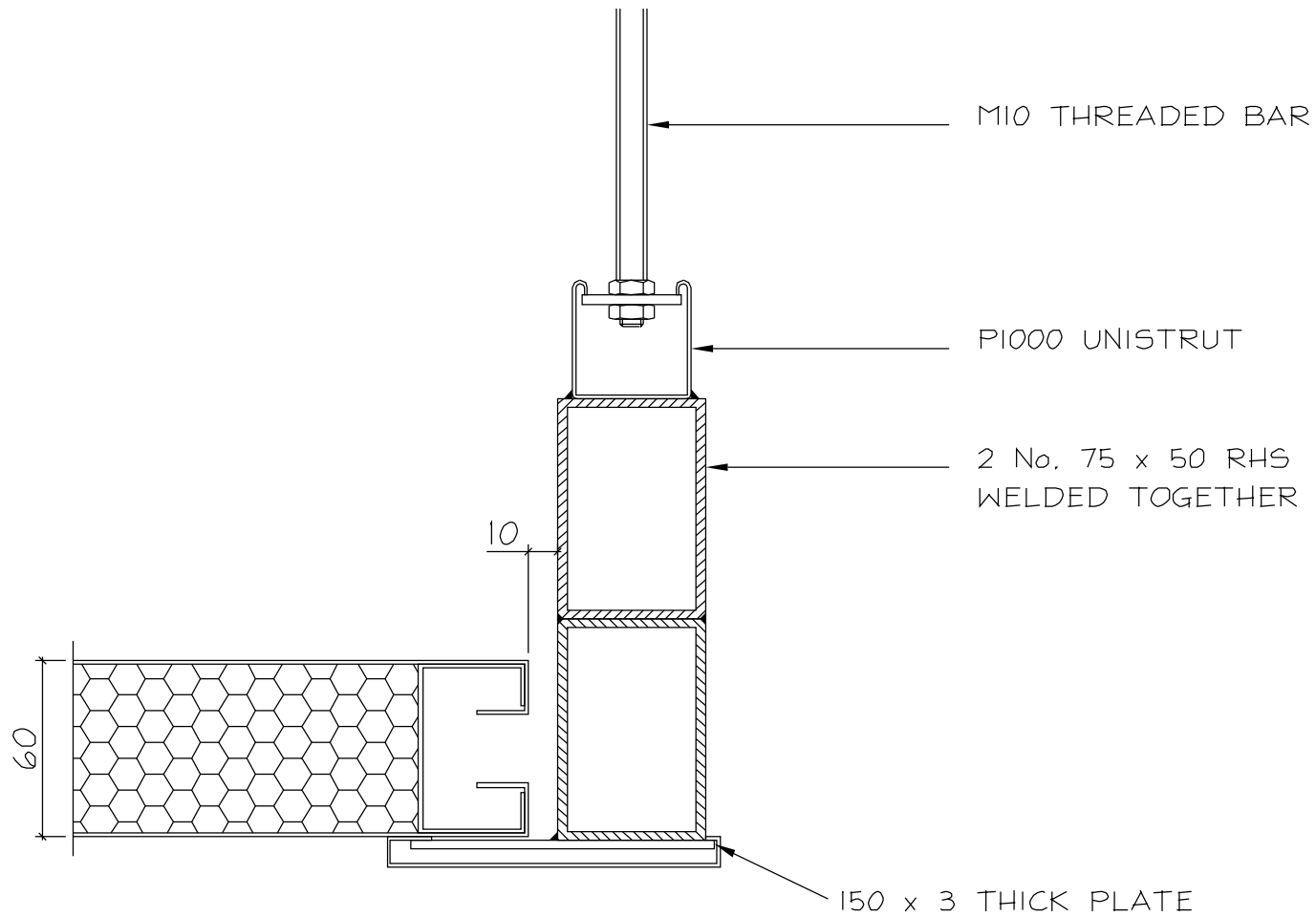


DETAILS ARE SUBJECT TO CHANGE WITHOUT NOTICE AS PART OF OUR CONTINUING PRODUCT DEVELOPMENT PROGRAMME AND DO NOT FORM ANY PART OF A BINDING CONTRACT.

| Rev. | Date | Description | Drawn | Chkd |
|------|------|-------------|-------|------|
|      |      |             |       |      |
|      |      |             |       |      |
|      |      |             |       |      |

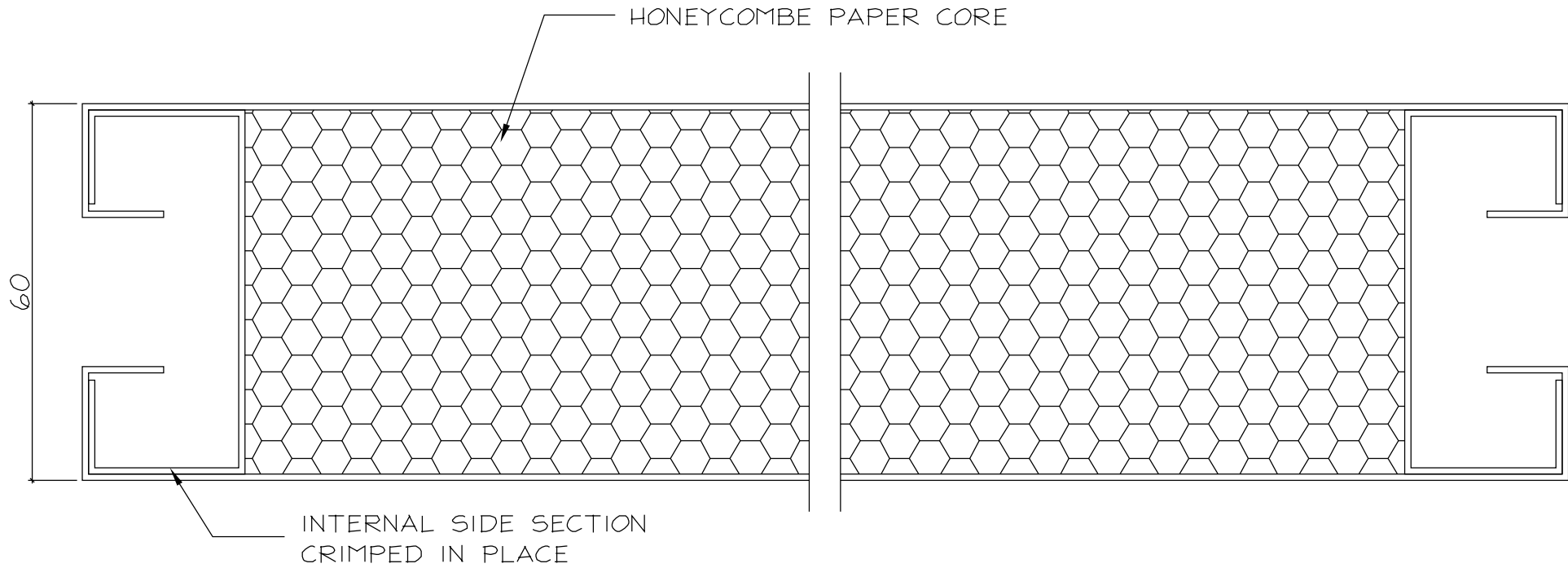
THRISLINGTON PRODUCTS LIMITED  
 Durham Way South Aycliffe Industrial Est.  
 Newton Aycliffe Co. Durham DL5 6SW  
 Telephone 01325 320711 Telex 58100  
 Fax 01325 311849

|   |                   |                |                               |
|---|-------------------|----------------|-------------------------------|
| Title<br><b>Standard 60mm Roof Details<br/>150mm Deep Hung Beam With Roof &amp; Cover</b> |                   |                |                               |
| Drawn<br>Dave Heighington   | Date<br>14 Apr 03 | Scale<br>1:2.5 | Drawing No.<br><b>SRD6003</b> |
| Checked<br>D.W.Bamforth   | Date<br>14 Apr 03 | Job Ref.       |                               |



DETAILS ARE SUBJECT TO CHANGE WITHOUT NOTICE AS PART OF OUR CONTINUING PRODUCT DEVELOPMENT PROGRAMME AND DO NOT FORM ANY PART OF A BINDING CONTRACT.

|      |      |             |       |      |   |  |                   |                |                               |
|------|------|-------------|-------|------|---|--|-------------------|----------------|-------------------------------|
|      |      |             |       |      | <b>THRISLINGTON PRODUCTS LIMITED</b><br>Durham Way South Aycliffe Industrial Est.<br>Newton Aycliffe Co. Durham DL5 6SW<br>Telephone 01325 320711 Telex 58100<br>Fax 01325 311849 | <b>Title</b><br><b>Standard 60mm Roof Details</b><br><b>150mm Deep Hung End Beam With Roof &amp; Cover</b> |                   |                |                               |
|      |      |             |       |      |   | Drawn<br>Dave Heighington  | Date<br>14 Apr 03 | Scale<br>1:2.5 | Drawing No.<br><b>SRD6004</b> |
| Rev. | Date | Description | Drawn | Chkd |   | Checked<br>D.W.Bamforth  | Date<br>14 Apr 03 | Job Ref.       |                               |



DETAILS ARE SUBJECT TO CHANGE WITHOUT NOTICE AS PART OF OUR CONTINUING PRODUCT DEVELOPMENT PROGRAMME AND DO NOT FORM ANY PART OF A BINDING CONTRACT.

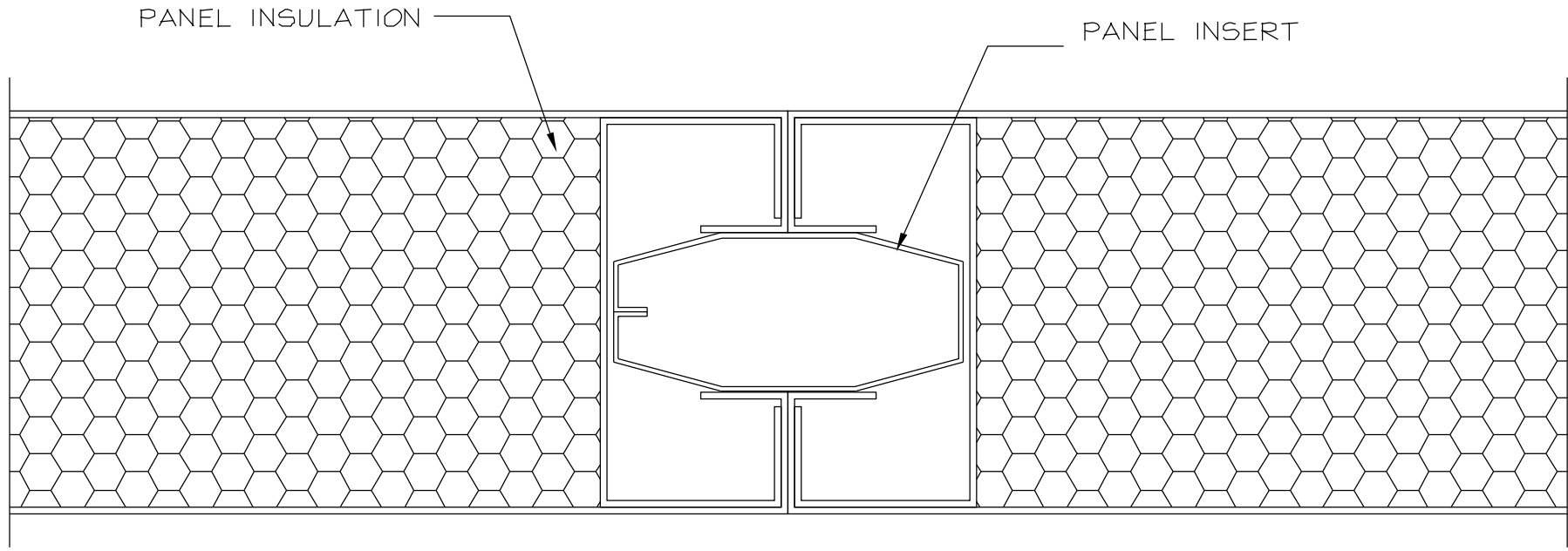
THRISLINGTON PRODUCTS LIMITED

Durham Way South Aycliffe Industrial Est.  
 Newton Aycliffe Co. Durham DL5 6SW  
 Telephone 01325 320711 Telex 58100  
 Fax 01325 311849

Title **Standard 60mm Roof Details**  
**Female Female Papercore Panel**

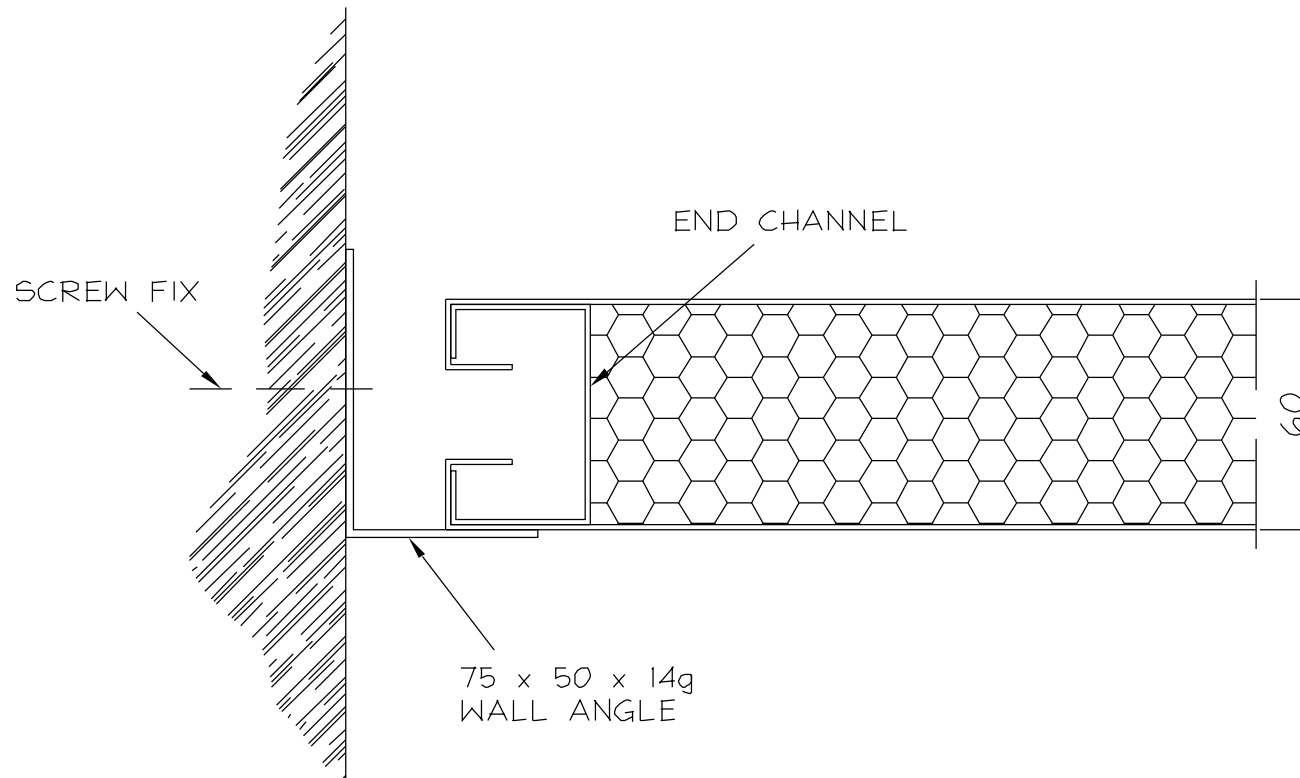
|                           |                   |              |                               |
|---------------------------|-------------------|--------------|-------------------------------|
| Drawn<br>Dave Heighington | Date<br>15 Apr 03 | Scale<br>1:1 | Drawing No.<br><b>SRD6005</b> |
| Checked<br>D.W.Bamforth   | Date<br>15 Apr 03 | Job Ref.     |                               |

| Rev. | Date | Description | Drawn | Chkd |
|------|------|-------------|-------|------|
|      |      |             |       |      |
|      |      |             |       |      |
|      |      |             |       |      |



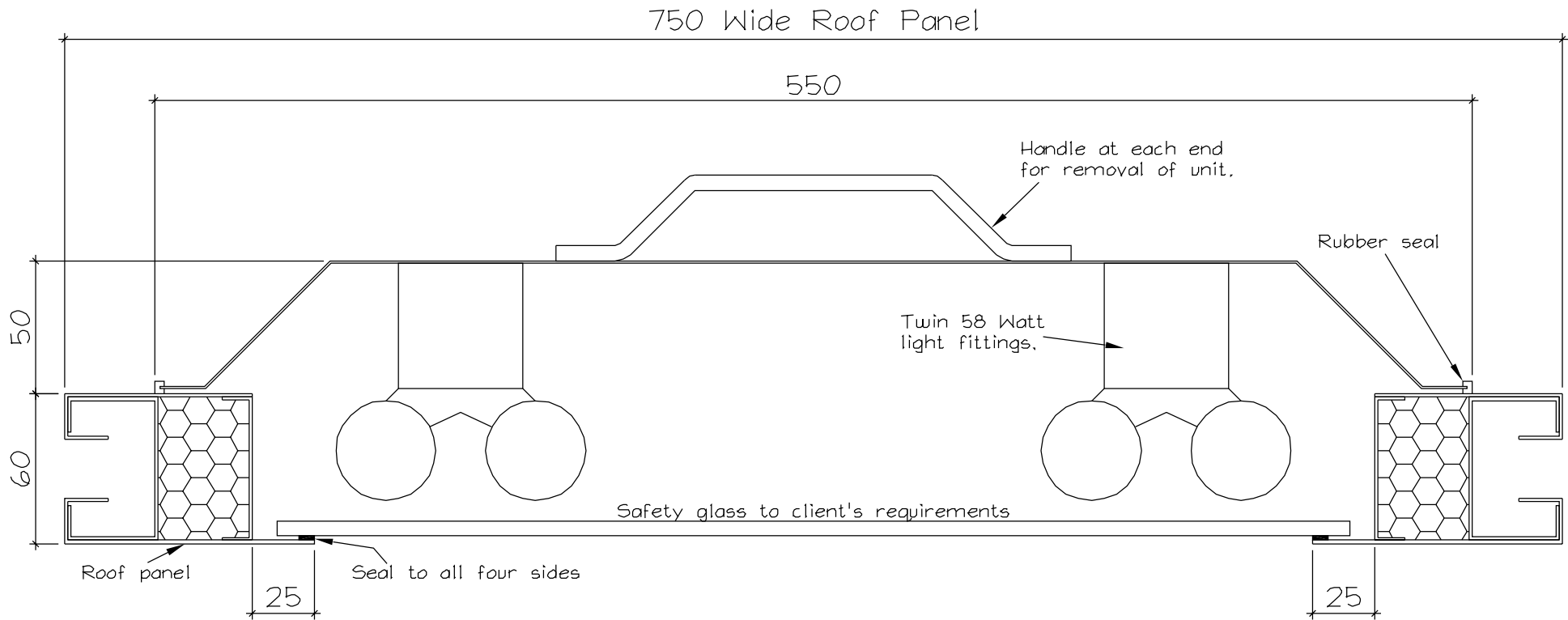
DETAILS ARE SUBJECT TO CHANGE WITHOUT NOTICE AS PART OF OUR CONTINUING PRODUCT DEVELOPMENT PROGRAMME AND DO NOT FORM ANY PART OF A BINDING CONTRACT.

|      |      |             |       |      |  |  |                   |              |                               |
|------|------|-------------|-------|------|--|--|-------------------|--------------|-------------------------------|
|      |      |             |       |      | <p style="text-align: center;"> <b>THRISLINGTON PRODUCTS LIMITED</b><br/>         Durham Way South Aycliffe Industrial Est.<br/>         Newton Aycliffe Co. Durham DL5 6SW<br/>         Telephone 01325 320711 Telex 58100<br/>         Fax 01325 311849       </p> | <b>Title</b> <b>Standard 60mm Roof Details</b><br><b>Roof Panel Joint Detail</b> |                   |              |                               |
|      |      |             |       |      |  | Drawn<br><i>Dave Heighington</i>   | Date<br>15 Apr 03 | Scale<br>1:1 | Drawing No.<br><b>SRD6006</b> |
|      |      |             |       |      |  | Checked<br><i>D.W.Bamforth</i>   | Date<br>15 Apr 03 | Job Ref.     |                               |
| Rev. | Date | Description | Drawn | Chkd |  |  |                   |              |                               |



DETAILS ARE SUBJECT TO CHANGE WITHOUT NOTICE AS PART OF OUR CONTINUING PRODUCT DEVELOPMENT PROGRAMME AND DO NOT FORM ANY PART OF A BINDING CONTRACT.

|      |      |             |       |      |   |   |                   |              |                               |
|------|------|-------------|-------|------|---|---|-------------------|--------------|-------------------------------|
|      |      |             |       |      | THRISSLINGTON PRODUCTS LIMITED<br>Durham Way South Aycliffe Industrial Est.<br>Newton Aycliffe Co. Durham DL5 6SW<br>Telephone 01325 320711 Telex 58100<br>Fax 01325 311849 | Title <b>Standard 60mm Roof Details</b><br><b>Roof Panel To Wall Abutment</b> |                   |              |                               |
|      |      |             |       |      |   | Drawn<br>Dave Heighington   | Date<br>14 Apr 03 | Scale<br>1:2 | Drawing No.<br><b>SRD6007</b> |
| Rev. | Date | Description | Drawn | Chkd |   | Checked<br>D.W.Bamforth   | Date<br>14 Apr 03 | Job Ref.     |                               |



SIZE OF CUT-OUT IN TOP SKIN TO SUIT LIGHT FITTING  
 BOTTOM CUT-OUT WILL BE 50mm LESS ALL ROUND.

DETAILS ARE SUBJECT TO CHANGE WITHOUT NOTICE AS PART OF OUR CONTINUING PRODUCT DEVELOPMENT PROGRAMME AND DO NOT FORM ANY PART OF A BINDING CONTRACT.

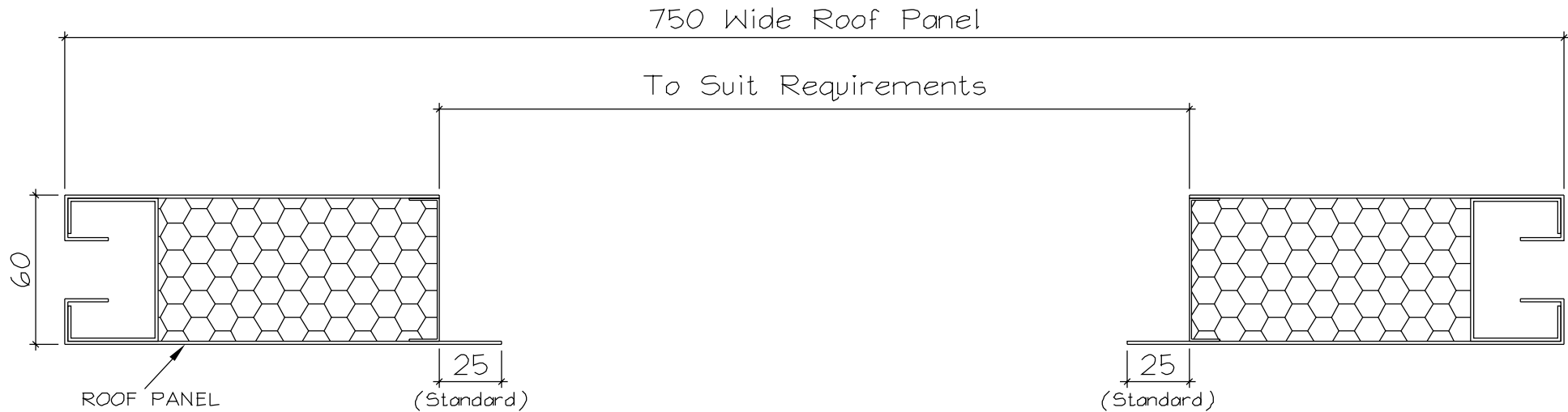
**THRISLINGTON PRODUCTS LIMITED**

Durham Way South Aycliffe Industrial Est.  
 Newton Aycliffe Co. Durham DL5 6SW  
 Tel: 01325 320711 Fax: 01325 311849  
 E-Mail: drawings@thrislington.co.uk

Title **Standard 60mm Roof Details**  
**Section Thro' Light Unit**

|                           |                   |                |                               |
|---------------------------|-------------------|----------------|-------------------------------|
| Drawn<br>Dave Heighington | Date<br>14 Apr 03 | Scale<br>1:2.5 | Drawing No.<br><b>SRD6008</b> |
| Checked<br>D.W.Bamforth   | Date<br>14 Apr 03 | Job Ref.       |                               |

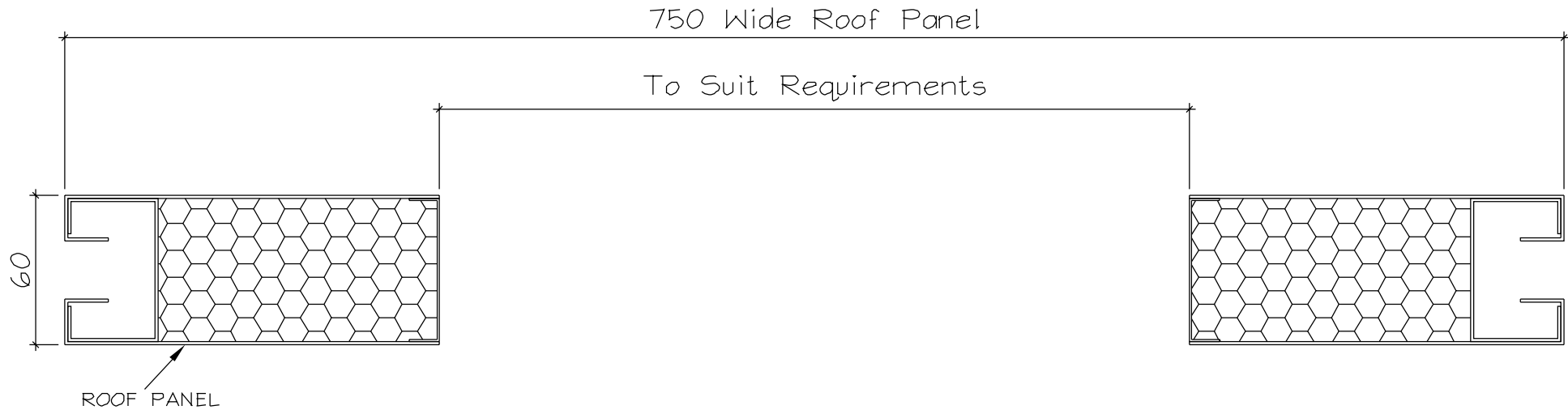
| Rev. | Date | Description | Drawn | Chkd |
|------|------|-------------|-------|------|
|      |      |             |       |      |
|      |      |             |       |      |
|      |      |             |       |      |



CUT-OUT SIZES TO SUIT CLIENTS REQUIREMENTS.  
 LASER FORMED CUT-OUTS CAN BE RECTANGULAR  
 OR CIRCULAR AND CAN SPAN MORE THAN ONE  
 ROOF PANEL IF NECESSARY WITH A FRAMED  
 OPENING WHERE REQUIRED.

DETAILS ARE SUBJECT TO CHANGE WITHOUT  
 NOTICE AS PART OF OUR CONTINUING PRODUCT  
 DEVELOPMENT PROGRAMME AND DO NOT FORM  
 ANY PART OF A BINDING CONTRACT.

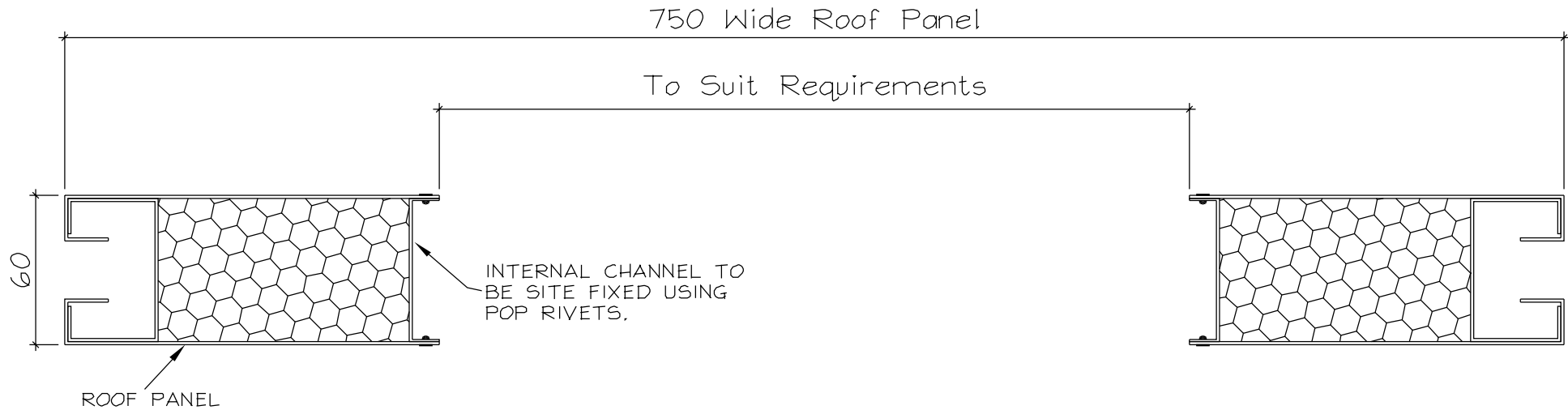
|      |      |             |       |      |   |   |                   |                |
|------|------|-------------|-------|------|---|---|-------------------|----------------|
|      |      |             |       |      | <b>THRISLINGTON PRODUCTS LIMITED</b><br>Durham Way South Aycliffe Industrial Est.<br>Newton Aycliffe Co. Durham DL5 6SW<br>Tel: 01325 320711 Fax: 01325 311849<br>E-Mail: drawings@thrislington.co.uk | Title <b>Standard 60mm Roof Details</b><br><b>Section Thro' Flanged Cut-Out</b> |                   |                |
|      |      |             |       |      |   | Drawn<br>Dave Heighington   | Date<br>14 Apr 03 | Scale<br>1:2.5 |
| Rev. | Date | Description | Drawn | Chkd |   | Checked<br>D.W.Bamforth   | Date<br>14 Apr 03 | Job Ref.       |



CUT-OUT SIZES TO SUIT CLIENTS REQUIREMENTS.  
 LASER FORMED CUT-OUTS CAN BE RECTANGULAR  
 OR CIRCULAR AND CAN SPAN MORE THAN ONE  
 ROOF PANEL IF NECESSARY WITH A FRAMED  
 OPENING WHERE REQUIRED.

DETAILS ARE SUBJECT TO CHANGE WITHOUT  
 NOTICE AS PART OF OUR CONTINUING PRODUCT  
 DEVELOPMENT PROGRAMME AND DO NOT FORM  
 ANY PART OF A BINDING CONTRACT.

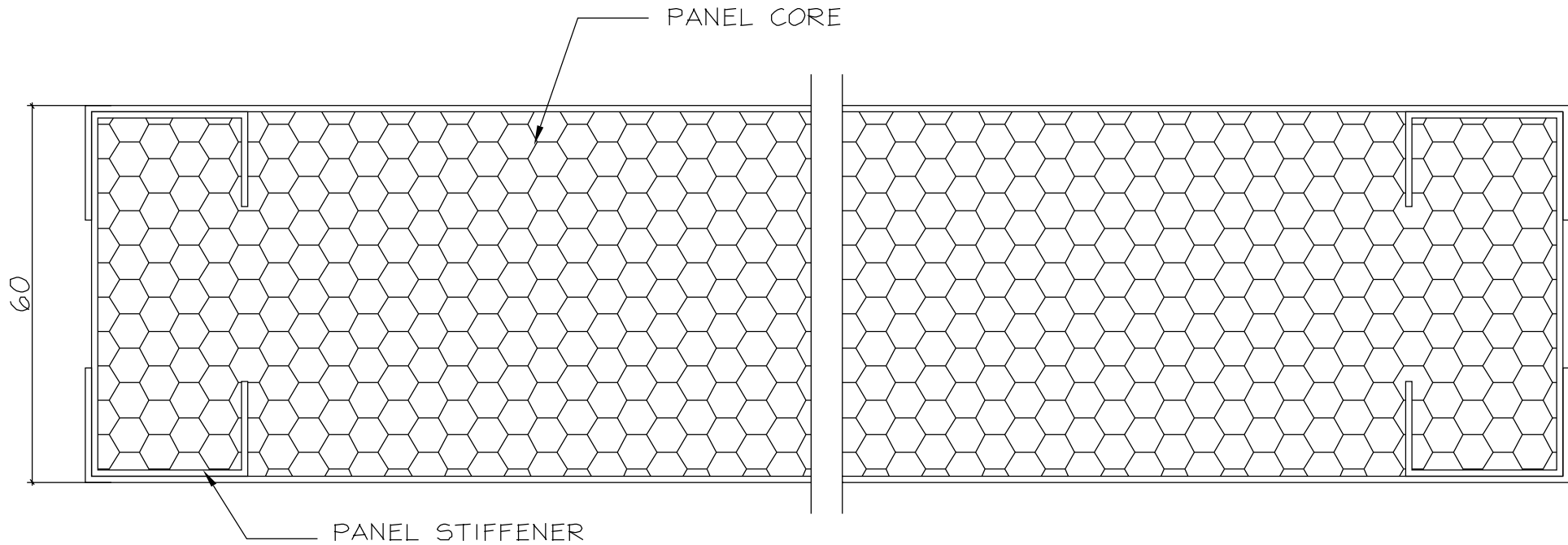
|      |      |             |       |      |   |   |                   |                |                               |
|------|------|-------------|-------|------|---|---|-------------------|----------------|-------------------------------|
|      |      |             |       |      | <b>THRISLINGTON PRODUCTS LIMITED</b><br>Durham Way South Aycliffe Industrial Est.<br>Newton Aycliffe Co. Durham DL5 6SW<br>Tel: 01325 320711 Fax: 01325 311849<br>E-Mail: drawings@thrislington.co.uk | Title <b>Standard 60mm Roof Details</b><br><b>Section Thro' Non Flanged Cut-Out</b> |                   |                |                               |
|      |      |             |       |      |   | Drawn<br>Dave Heighington   | Date<br>14 Apr 03 | Scale<br>1:2.5 | Drawing No.<br><b>SRD6010</b> |
| Rev. | Date | Description | Drawn | Chkd |   | Checked<br>D.W.Bamforth   | Date<br>14 Apr 03 | Job Ref.       |                               |



CUT-OUT SIZES TO SUIT CLIENTS REQUIREMENTS.  
 SITE FORMED CUT-OUTS CAN BE RECTANGULAR  
 OR CIRCULAR AND CAN SPAN MORE THAN ONE  
 ROOF PANEL IF NECESSARY WITH A FRAMED  
 OPENING WHERE REQUIRED.

DETAILS ARE SUBJECT TO CHANGE WITHOUT  
 NOTICE AS PART OF OUR CONTINUING PRODUCT  
 DEVELOPMENT PROGRAMME AND DO NOT FORM  
 ANY PART OF A BINDING CONTRACT.

|      |      |             |       |      |   |   |                   |                |
|------|------|-------------|-------|------|---|---|-------------------|----------------|
|      |      |             |       |      | <b>THRISLINGTON PRODUCTS LIMITED</b><br>Durham Way South Aycliffe Industrial Est.<br>Newton Aycliffe Co. Durham DL5 6SW<br>Tel: 01325 320711 Fax: 01325 311849<br>E-Mail: drawings@thrislington.co.uk | Title <b>Standard 60mm Roof Details</b><br><b>Section Thro' Site Formed Cut-Out</b> |                   |                |
|      |      |             |       |      |   | Drawn<br>Dave Heighington   | Date<br>14 Apr 03 | Scale<br>1:2.5 |
| Rev. | Date | Description | Drawn | Chkd |   | Checked<br>D.W.Bamforth   | Date<br>14 Apr 03 | Job Ref.       |



DETAILS ARE SUBJECT TO CHANGE WITHOUT NOTICE AS PART OF OUR CONTINUING PRODUCT DEVELOPMENT PROGRAMME AND DO NOT FORM ANY PART OF A BINDING CONTRACT.

THRISLINGTON PRODUCTS LIMITED

Durham Way South Aycliffe Industrial Est.  
 Newton Aycliffe Co. Durham DL5 6SW  
 Telephone 01325 320711 Telex 58100  
 Fax 01325 311849

Title **Standard 60mm Roof Details**  
**Standard Roof Panel End Bends**

|                           |                   |              |                               |
|---------------------------|-------------------|--------------|-------------------------------|
| Drawn<br>Dave Heighington | Date<br>15 Apr 03 | Scale<br>1:1 | Drawing No.<br><b>SRD6012</b> |
| Checked<br>D.W.Bamforth   | Date<br>15 Apr 03 | Job Ref.     |                               |

| Rev. | Date | Description | Drawn | Chkd |
|------|------|-------------|-------|------|
|      |      |             |       |      |
|      |      |             |       |      |
|      |      |             |       |      |