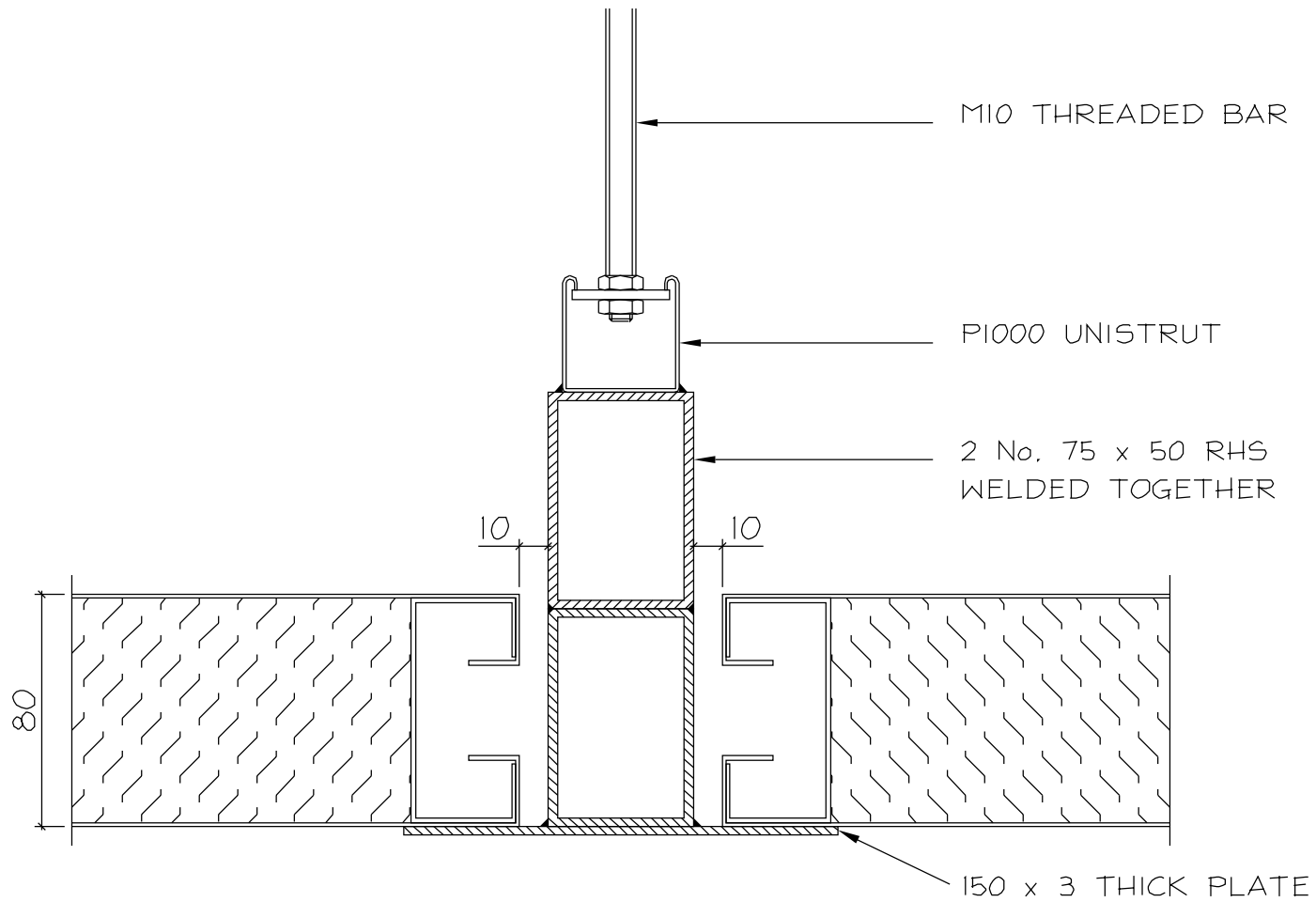


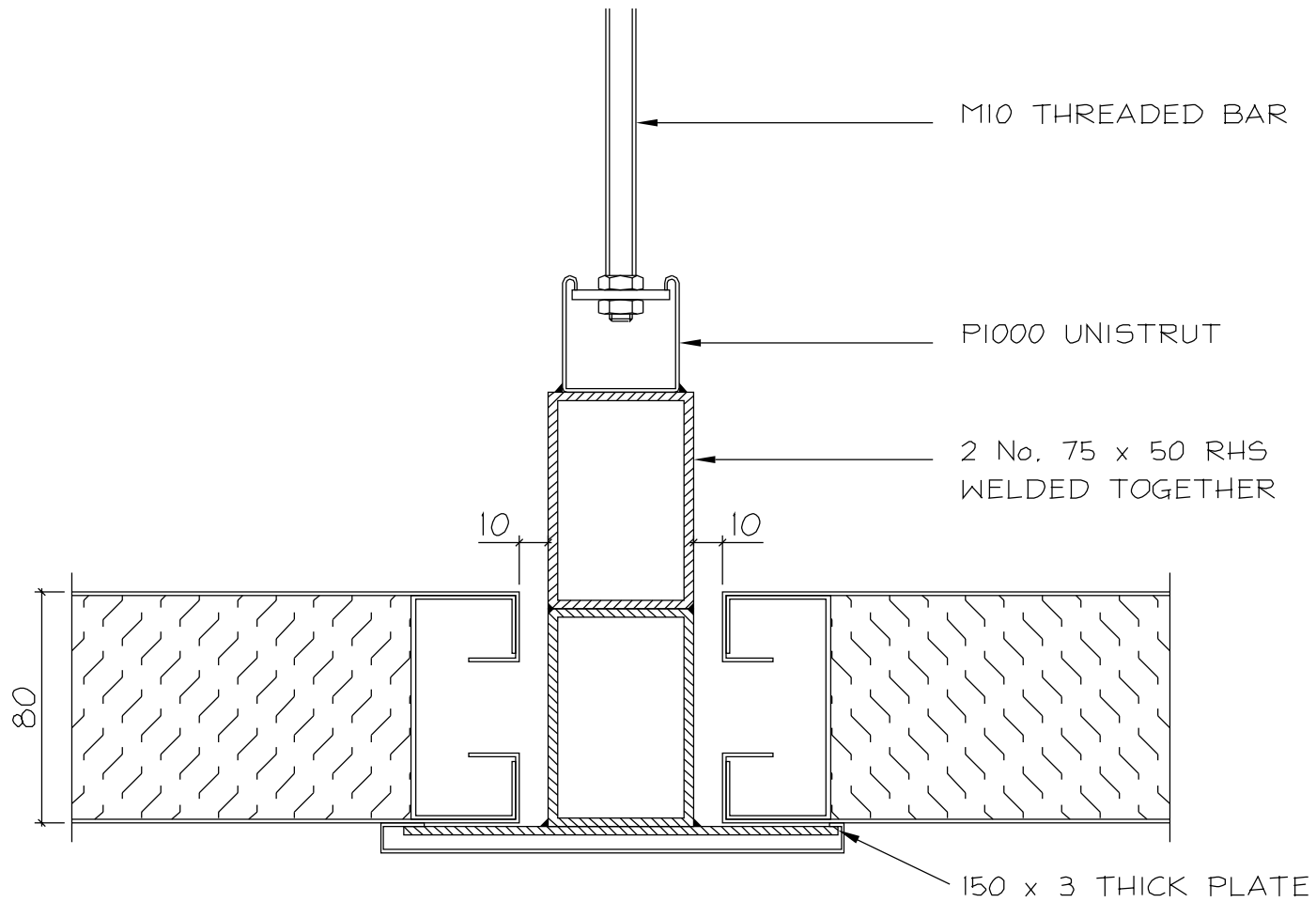
DETAILS ARE SUBJECT TO CHANGE WITHOUT NOTICE AS PART OF OUR CONTINUING PRODUCT DEVELOPMENT PROGRAMME AND DO NOT FORM ANY PART OF A BINDING CONTRACT.

					<p style="text-align: center;">THRISLINGTON PRODUCTS LIMITED</p> <p style="text-align: center;">Durham Way South Aycliffe Industrial Est. Newton Aycliffe Co. Durham DL5 6SW Telephone 01325 320711 Telex 58100 Fax 01325 311849</p>	<p>Title <b>Standard 80mm Roof Details</b> <b>150mm Deep Hung Beam</b></p>			
						<p>Drawn Dave Heighington</p>	<p>Date 14 Apr 03</p>	<p>Scale 1:5</p>	<p>Drawing No. <b>SRD8001</b></p>
Rev.	Date	Description	Drawn	Chkd			<p>Checked D.W.Bamforth</p>	<p>Date 14 Apr 03</p>	<p>Job Ref.</p>



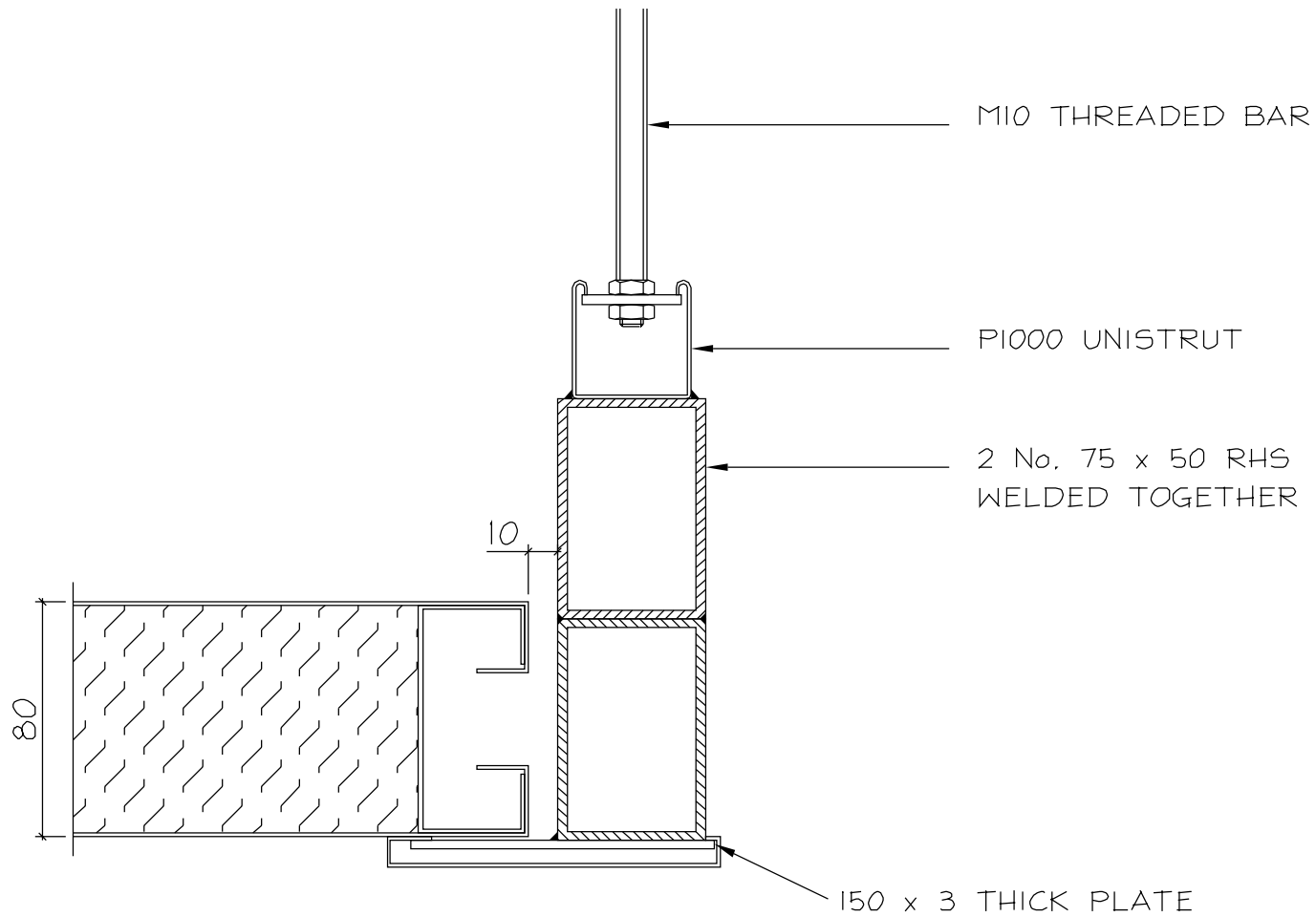
DETAILS ARE SUBJECT TO CHANGE WITHOUT NOTICE AS PART OF OUR CONTINUING PRODUCT DEVELOPMENT PROGRAMME AND DO NOT FORM ANY PART OF A BINDING CONTRACT.

					<p style="text-align: center;">THRISLINGTON PRODUCTS LIMITED</p> <p style="text-align: center;">Durham Way South Aycliffe Industrial Est.          Newton Aycliffe Co. Durham DL5 6SW          Telephone 01325 320711 Telex 58100          Fax 01325 311849</p>	<b>Title</b> <b>Standard 80mm Roof Details</b> <b>150mm Deep Hung Beam With Roof</b>			
						Drawn Dave Heighington	Date 14 Apr 03	Scale 1:2.5	Drawing No. <b>SRD8002</b>
Rev.	Date	Description	Drawn	Chkd		Checked D.W.Bamforth	Date 14 Apr 03	Job Ref.	



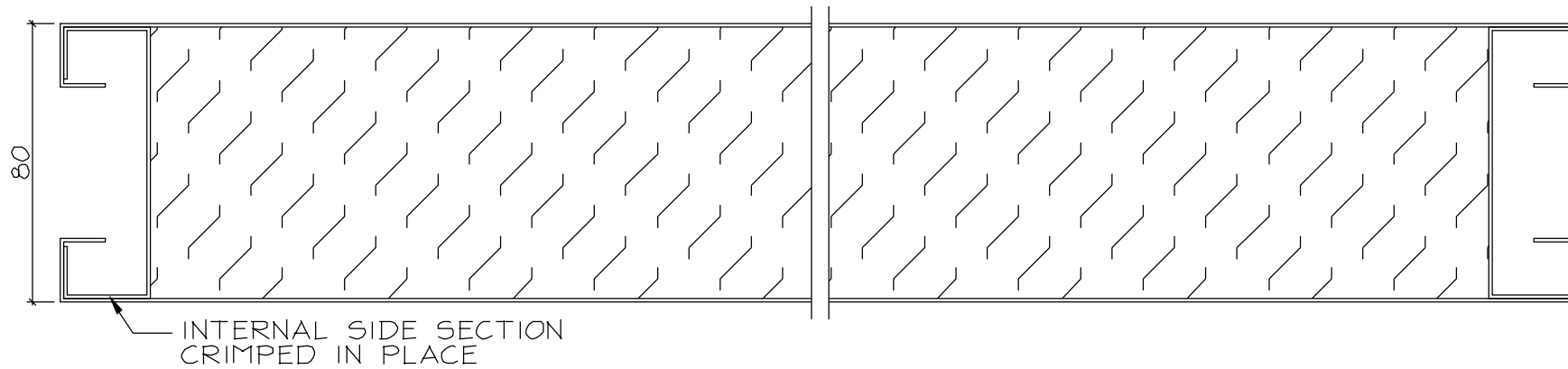
DETAILS ARE SUBJECT TO CHANGE WITHOUT NOTICE AS PART OF OUR CONTINUING PRODUCT DEVELOPMENT PROGRAMME AND DO NOT FORM ANY PART OF A BINDING CONTRACT.

					<p>THRISLINGTON PRODUCTS LIMITED</p> <p>Durham Way South Aycliffe Industrial Est.          Newton Aycliffe Co. Durham DL5 6SW          Telephone 01325 320711 Telex 58100          Fax 01325 311849</p>	<p>Title <b>Standard 80mm Roof Details</b>  <b>150mm Deep Hung Beam With Roof &amp; Cover</b></p>			
						<p>Drawn Dave Heighington</p>	<p>Date 14 Apr 03</p>	<p>Scale 1:2.5</p>	<p>Drawing No. <b>SRD8003</b></p>
Rev.	Date	Description	Drawn	Chkd			<p>Checked D.W.Bamforth</p>	<p>Date 14 Apr 03</p>	<p>Job Ref.</p>



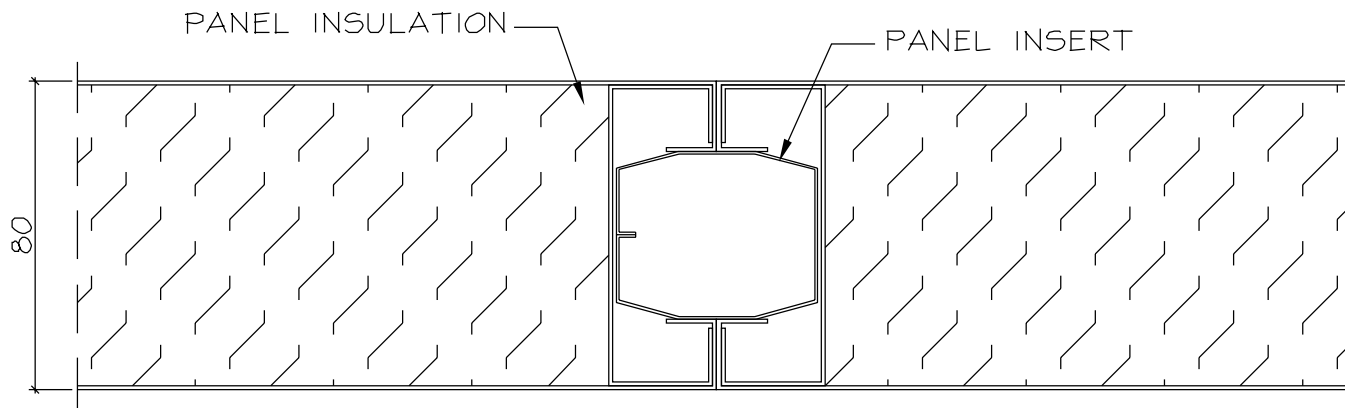
DETAILS ARE SUBJECT TO CHANGE WITHOUT NOTICE AS PART OF OUR CONTINUING PRODUCT DEVELOPMENT PROGRAMME AND DO NOT FORM ANY PART OF A BINDING CONTRACT.

					<p style="text-align: center;">THRISLINGTON PRODUCTS LIMITED</p> <p style="text-align: center;">Durham Way South Aycliffe Industrial Est.          Newton Aycliffe Co. Durham DL5 6SW          Telephone 01325 320711 Telex 58100          Fax 01325 311849</p>	<b>Title</b> <b>Standard 80mm Roof Details</b> <b>150mm Deep Hung End Beam With Roof &amp; Cover</b>			
						Drawn Dave Heighington	Date 14 Apr 03	Scale 1:2.5	Drawing No. <b>SRD8004</b>
Rev.	Date	Description	Drawn	Chkd		Checked D.W.Bamforth	Date 14 Apr 03	Job Ref.	



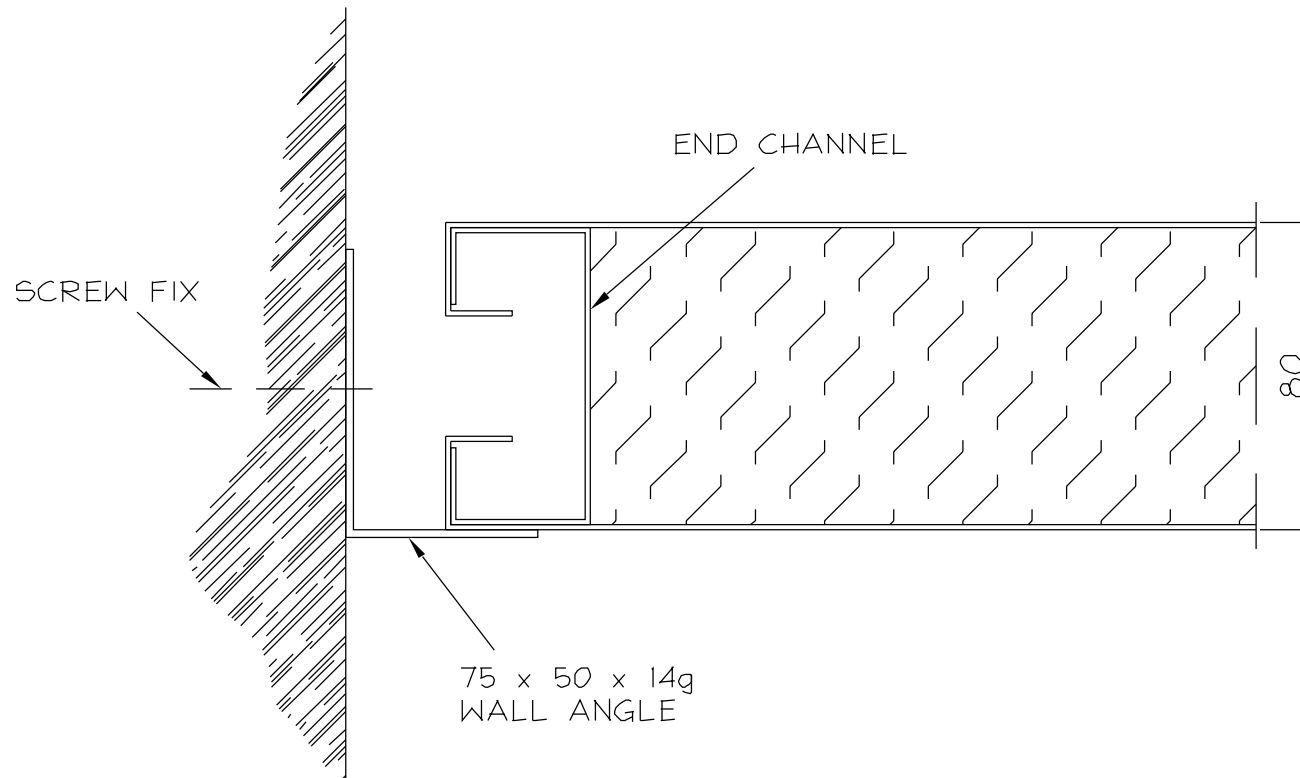
DETAILS ARE SUBJECT TO CHANGE WITHOUT NOTICE AS PART OF OUR CONTINUING PRODUCT DEVELOPMENT PROGRAMME AND DO NOT FORM ANY PART OF A BINDING CONTRACT.

					<b>THRISLINGTON PRODUCTS LIMITED</b> Durham Way South Aycliffe Industrial Est. Newton Aycliffe Co. Durham DL5 6SW Tel: 01325 320711 Fax: 01325 311849 E-Mail: drawings@thrislington.co.uk	Title <b>Standard 80mm Roof Details</b> <b>Section Thro' Roof Panel</b>			
						Drawn Dave Heighington	Date 14 Apr 03	Scale 1:2	Drawing No. <b>SRD8005</b>
Rev.	Date	Description	Drawn	Chkd		Checked D.W.Bamforth	Date 14 Apr 03	Job Ref. -	



DETAILS ARE SUBJECT TO CHANGE WITHOUT NOTICE AS PART OF OUR CONTINUING PRODUCT DEVELOPMENT PROGRAMME AND DO NOT FORM ANY PART OF A BINDING CONTRACT.

					<b>THRISLINGTON PRODUCTS LIMITED</b> Durham Way South Aycliffe Industrial Est. Newton Aycliffe Co. Durham DL5 6SW Tel: 01325 320711 Fax: 01325 311849 E-Mail: drawings@thrislington.co.uk	Title <b>Standard 80mm Roof Details</b> <b>Roof Panel Joint Detail</b>			
						Drawn Dave Heighington	Date 14 Apr 03	Scale 1:2	Drawing No. <b>SRD8006</b>
Rev.	Date	Description	Drawn	Chkd		Checked D.W.Bamforth	Date 14 Apr 03	Job Ref. -	



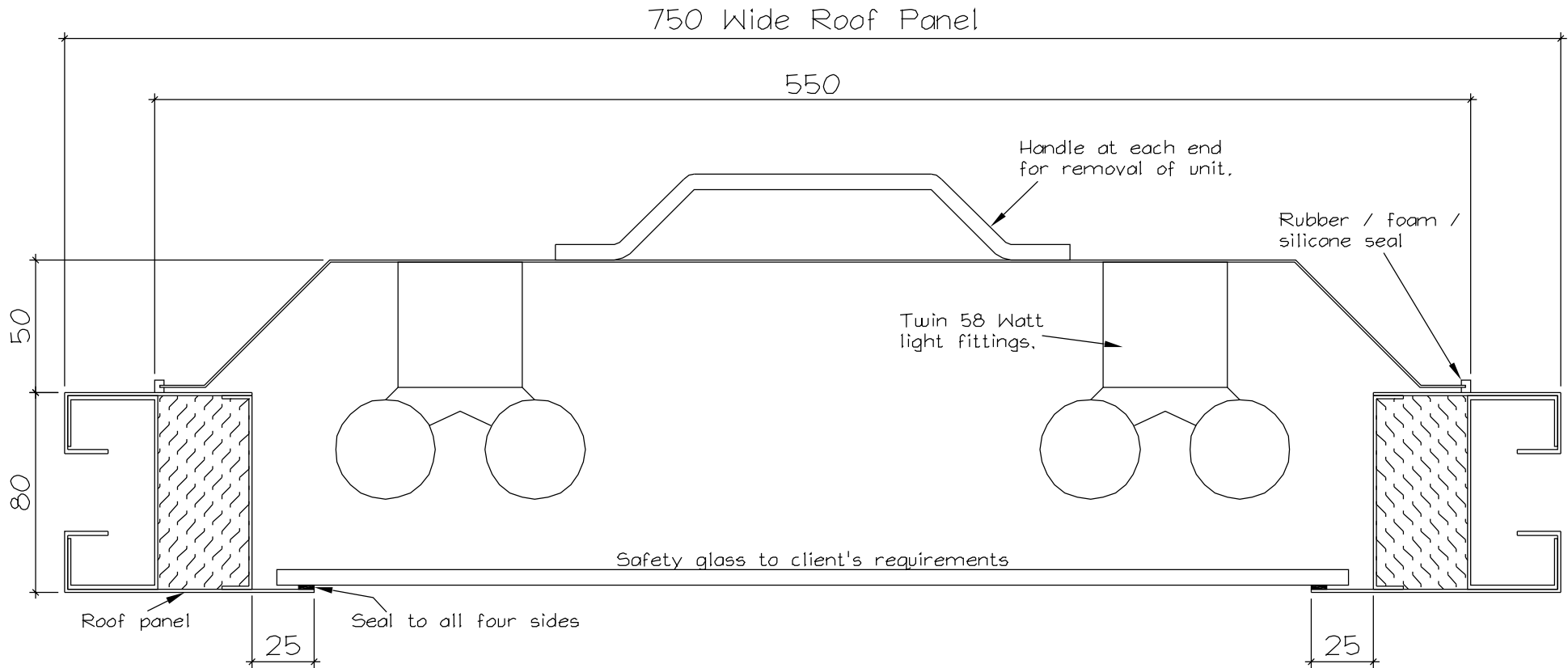
DETAILS ARE SUBJECT TO CHANGE WITHOUT NOTICE AS PART OF OUR CONTINUING PRODUCT DEVELOPMENT PROGRAMME AND DO NOT FORM ANY PART OF A BINDING CONTRACT.

THRISLINGTON PRODUCTS LIMITED  
 Durham Way South Aycliffe Industrial Est.  
 Newton Aycliffe Co. Durham DL5 6SW  
 Telephone 01325 320711 Telex 58100  
 Fax 01325 311849

Title **Standard 80mm Roof Details**  
**Roof Panel To Wall Abutment**

Drawn Dave Heighington	Date 14 Apr 03	Scale 1:2	Drawing No. <b>SRD8007</b>
Checked D.W.Bamforth	Date 14 Apr 03	Job Ref.	

Rev.	Date	Description	Drawn	Chkd



SIZE OF CUT-OUT IN TOP SKIN TO SUIT LIGHT FITTING  
 BOTTOM CUT-OUT WILL BE 50mm LESS ALL ROUND.

DETAILS ARE SUBJECT TO CHANGE WITHOUT NOTICE AS PART OF OUR CONTINUING PRODUCT DEVELOPMENT PROGRAMME AND DO NOT FORM ANY PART OF A BINDING CONTRACT.

Rev.	Date	Description	Drawn	Chkd

**THRISLINGTON PRODUCTS LIMITED**

Durham Way South Aycliffe Industrial Est.  
 Newton Aycliffe Co. Durham DL5 6SW  
 Tel: 01325 320711 Fax: 01325 311849  
 E-Mail: drawings@thrislington.co.uk

Title <b>Standard 80mm Roof Details</b>			
Section Thro' Light Unit			
Drawn Dave Heighington	Date 14 Apr 03	Scale 1:2.5	Drawing No. <b>SRD8008</b>
Checked D.W.Bamforth	Date 14 Apr 03	Job Ref.	



CUT-OUT SIZES TO SUIT CLIENTS REQUIREMENTS.  
 LASER FORMED CUT-OUTS CAN BE RECTANGULAR  
 OR CIRCULAR AND CAN SPAN MORE THAN ONE  
 ROOF PANEL IF NECESSARY WITH A FRAMED  
 OPENING WHERE REQUIRED.

DETAILS ARE SUBJECT TO CHANGE WITHOUT  
 NOTICE AS PART OF OUR CONTINUING PRODUCT  
 DEVELOPMENT PROGRAMME AND DO NOT FORM  
 ANY PART OF A BINDING CONTRACT.

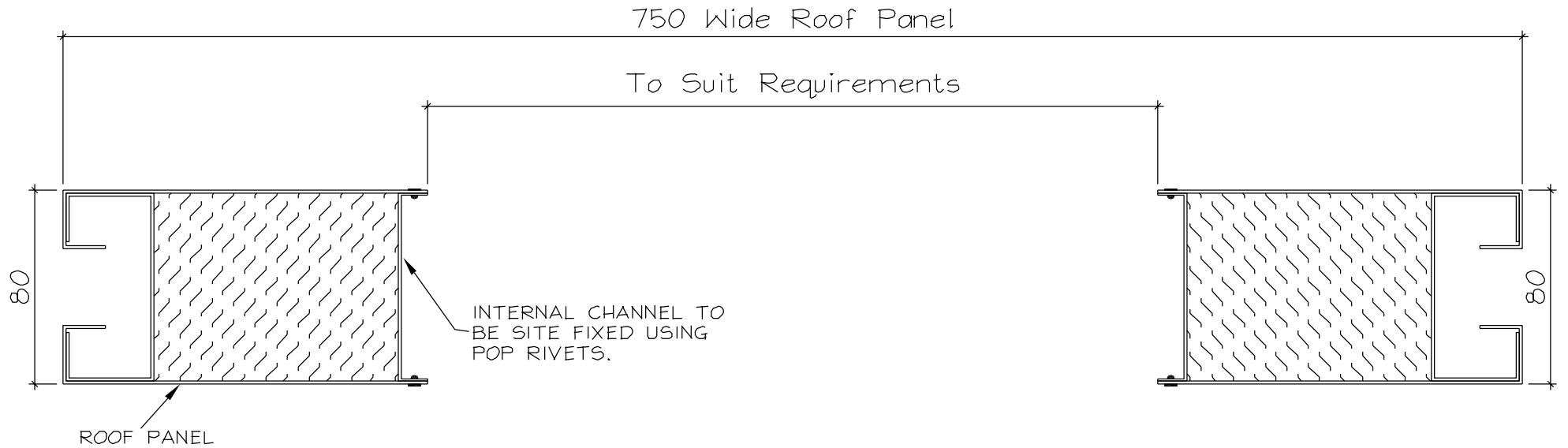
					<b>THRISLINGTON PRODUCTS LIMITED</b> Durham Way South Aycliffe Industrial Est. Newton Aycliffe Co. Durham DL5 6SW Tel: 01325 320711 Fax: 01325 311849 E-Mail: drawings@thrislington.co.uk	Title <b>Standard 80mm Roof Details          Section Thro' Flanged Cut-Out</b>		
						Drawn Dave Heighington	Date 14 Apr 03	Scale 1:2.5
Rev.	Date	Description	Drawn	Chkd		Checked D.W.Bamforth	Date 14 Apr 03	Job Ref.



CUT-OUT SIZES TO SUIT CLIENTS REQUIREMENTS.  
 LASER FORMED CUT-OUTS CAN BE RECTANGULAR  
 OR CIRCULAR AND CAN SPAN MORE THAN ONE  
 ROOF PANEL IF NECESSARY WITH A FRAMED  
 OPENING WHERE REQUIRED.

DETAILS ARE SUBJECT TO CHANGE WITHOUT  
 NOTICE AS PART OF OUR CONTINUING PRODUCT  
 DEVELOPMENT PROGRAMME AND DO NOT FORM  
 ANY PART OF A BINDING CONTRACT.

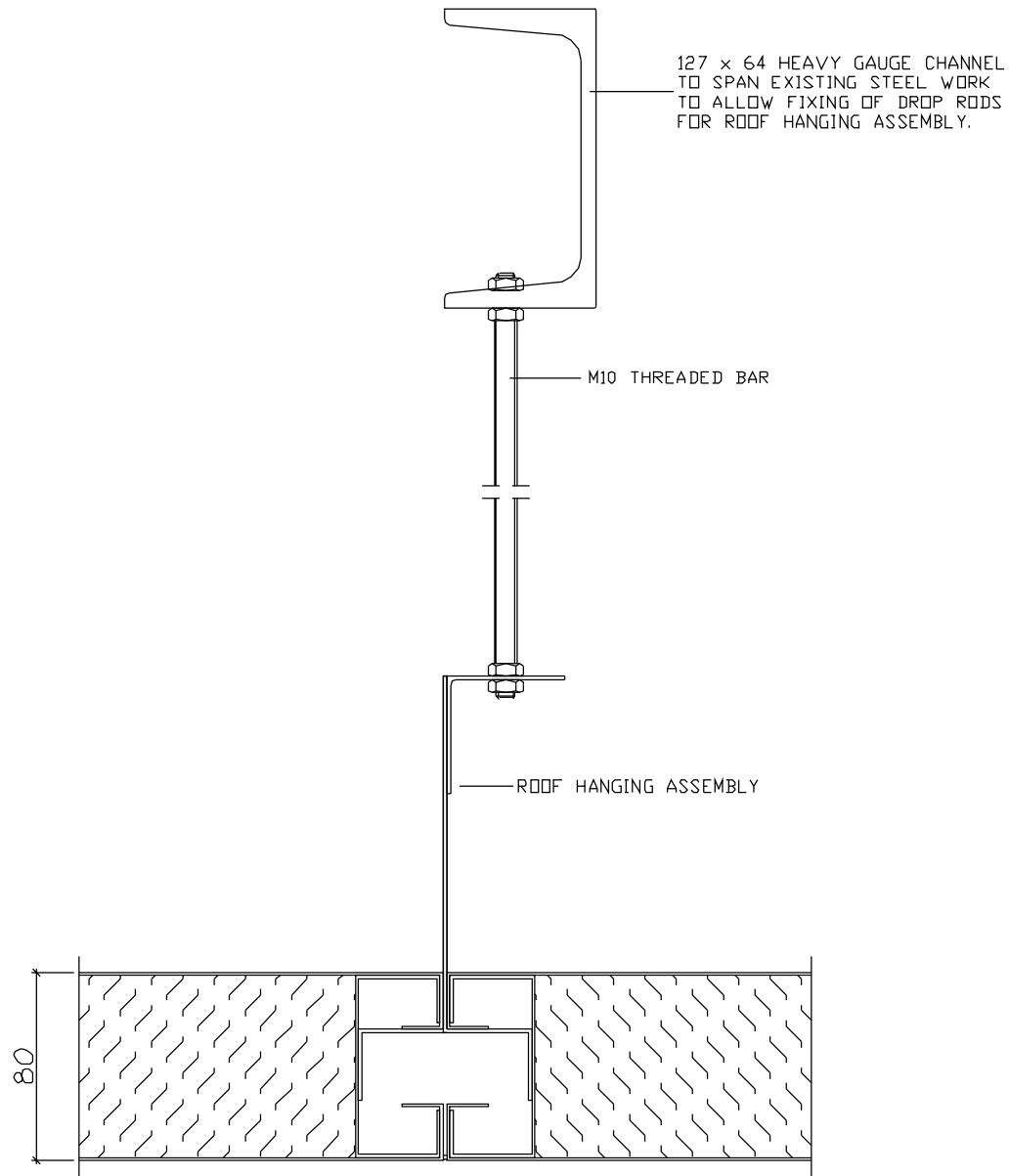
					<b>THRISLINGTON PRODUCTS LIMITED</b> Durham Way South Aycliffe Industrial Est. Newton Aycliffe Co. Durham DL5 6SW Tel: 01325 320711 Fax: 01325 311849 E-Mail: drawings@thrislington.co.uk	Title <b>Standard 80mm Roof Details</b> <b>Section Thro' Non Flanged Cut-Out</b>		
						Drawn Dave Heighington	Date 14 Apr 03	Scale 1:2.5
Rev.	Date	Description	Drawn	Chkd		Checked D.W.Bamforth	Date 14 Apr 03	Job Ref.



CUT-OUT SIZES TO SUIT CLIENTS REQUIREMENTS.  
 SITE FORMED CUT-OUTS CAN BE RECTANGULAR  
 OR CIRCULAR AND CAN SPAN MORE THAN ONE  
 ROOF PANEL IF NECESSARY WITH A FRAMED  
 OPENING WHERE REQUIRED.

DETAILS ARE SUBJECT TO CHANGE WITHOUT  
 NOTICE AS PART OF OUR CONTINUING PRODUCT  
 DEVELOPMENT PROGRAMME AND DO NOT FORM  
 ANY PART OF A BINDING CONTRACT.

					<b>THRISLINGTON PRODUCTS LIMITED</b> Durham Way South Aycliffe Industrial Est. Newton Aycliffe Co. Durham DL5 6SW Tel: 01325 320711 Fax: 01325 311849 E-Mail: drawings@thrislington.co.uk	Title <b>Standard 80mm Roof Details</b> <b>Section Thro' Site Formed Cut-Out</b>			
						Drawn Dave Heighington	Date 14 Apr 03	Scale 1:2.5	Drawing No. <b>SRD8011</b>
Rev.	Date	Description	Drawn	Chkd		Checked D.W.Bamforth	Date 14 Apr 03	Job Ref.	



DETAILS ARE SUBJECT TO CHANGE WITHOUT NOTICE AS PART OF OUR CONTINUING PRODUCT DEVELOPMENT PROGRAMME AND DO NOT FORM ANY PART OF A BINDING CONTRACT.

**THRISLINGTON PRODUCTS Ltd.**

Durham Way South Aycliffe Industrial Est.  
Newton Aycliffe Co. Durham DL5 6SW  
Tel: 01325 320711 Fax: 01325 311849  
E-Mail: drawings@thrislington.co.uk

Title  
**Standard 80mm Roof Details  
Hanging Assembly Details**

Drawn J.Patterson	Date 23.07.04.	Scale Not To Scale	Drawing No.
Checked D.Heighington	Date 23.07.04.	Job Ref. -	<b>SRD8012</b>

Rev.	Date	Description	Drawn	Chkd